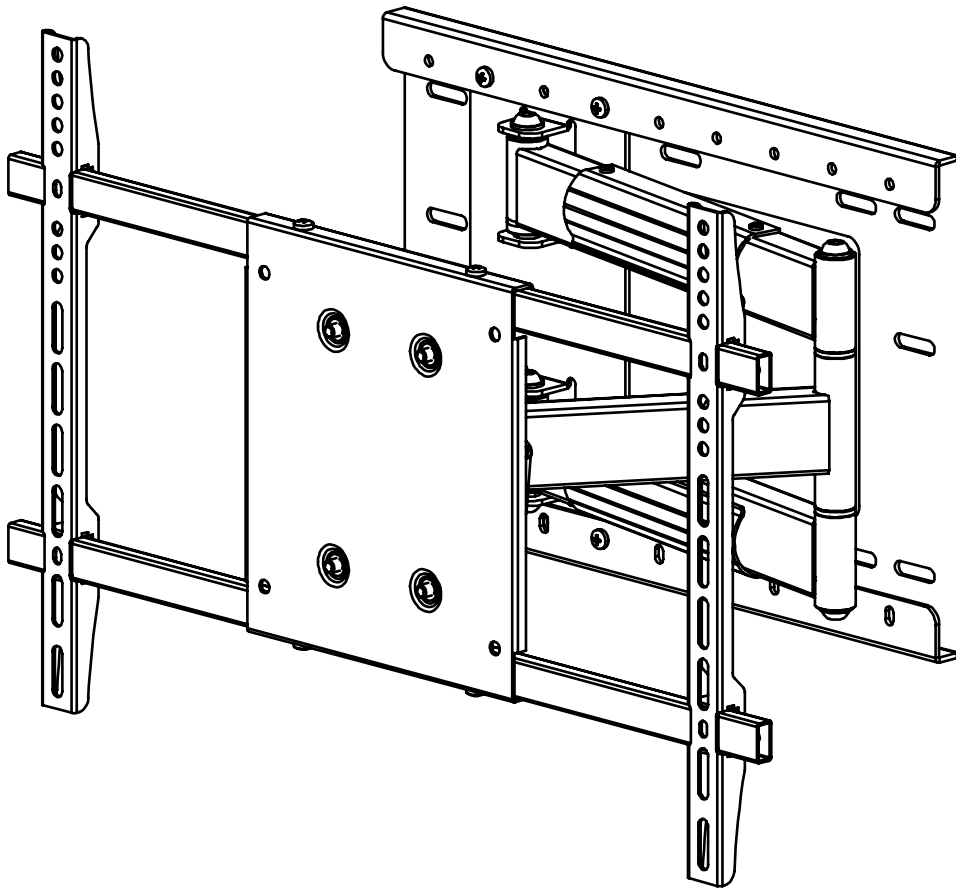


# All St★r Mounts

## Installation Instructions

### ASM-501M Universal Cantilever Mount



### Features:

- Designed for 32"-50" Flat panels
- Mounting Pattern Compliance:  
From 200 x 200mm up to 600 x 400mm
- Maximum weight capacity up to 150 lbs
- Lift and lock for easy installation
- U-cap system for clean and simple cable management
- +15°/-5° of easy tilt
- Three pivot points with up to 180° swivel

# **WARNING**

**THE WARRANTY WILL ONLY BE VALID IF YOU FOLLOW THE INSTRUCTIONS CAREFULLY.**

Please do not begin installation until you have thoroughly read and understood these instructions. Improper installation may cause serious injury and/or damage. It is recommended that a qualified contractor install the ASM -501M Universal Cantilever Mount.

Make sure that the wall you plan to use will safely support four times the combined weight of the mounted equipment, including its accessories. Warranty will be void if TV Mount is not installed to wood studs or masonry.

The ASM-501M Universal Cantilever Mount supports LED, LCD, and Plasma Flat Panel Displays from 32" to 50" and supports a maximum load of 68.0 kg (150 lbs).

This products suits displays with mounting hole patterns from 200mmx200mm(8"x8") to 600mmx400mm(24"x16").

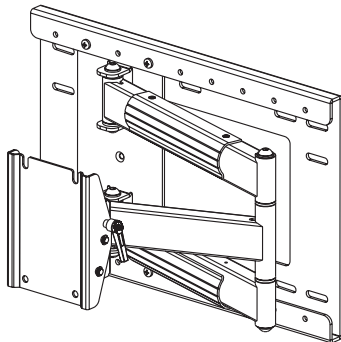
A second person will be required to assist with several steps.

The manufacturer does not accept responsibility for incorrect installation.

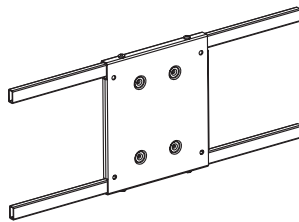
## Tools Needed for Assembly

- Stud finder ("edge to edge" stud finder is recommended)
- Phillips screwdriver
- Pencil
- Hammer Drill(Concrete installation only)
- 1/4" drill bit for wood studs, 3/8" drill bit for concrete
- 7/16" socket wrench or bit driver for wood screws
- Level
- Tape measure

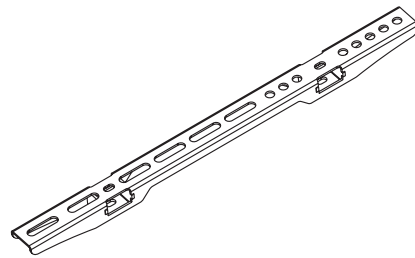
## Component Checklist



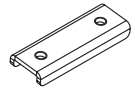
Mount Arm assy(x1)



Adaptor plate body(x1)



Adaptor Brackets(x2)



Slider plate(x4)-(M/N)

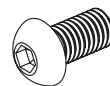
### Bits Bag



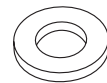
Lag Bolt  
8\*70mm(x4) -(L)



Metal washer  
diameter 6 (x8) -(G)



Socket pan head screw  
M8\*12mm (x4) -(D)



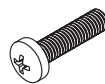
Metal washer  
diameter 8(x4) -(H)



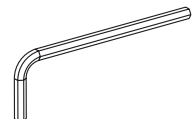
Anchor(x4) -(K)



Spacer (x4) -(I/J)

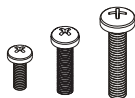


Philips head screw  
M6\*12mm (x4) -(B)



5mm Allen Key (x1) -(F)

### Mounting Screws(Cross Recess)



M5x16mm (x4 each) -(A)  
M6x16mm (x4 each) -(C)  
M8x35mm (x4 each) -(E)

## Step 1 Mounting the mount arm assy

### A. Mounting to Wooden Studs

The ASM-501M Cantilever mount can be mounted onto two wooden studs, with center to center distances between 16" (406mm). Using an electronic stud finder (Fig. 1), locate the center of the two wooden studs at the desired mounting location. Mark the stud center positions directly on the wall. Connect the stud marks with a horizontal line and find the center between them to represent where you wish the center of the screen to be located. Be sure to measure and mark the center of this horizontal line.



Fig.1

Place the wall plate on the wall, Pin the wall plate to the center mark on the wall. Using a level (bubble or laser), level the guide, and then press the adhesive backing against the wall to hold the guide in place.

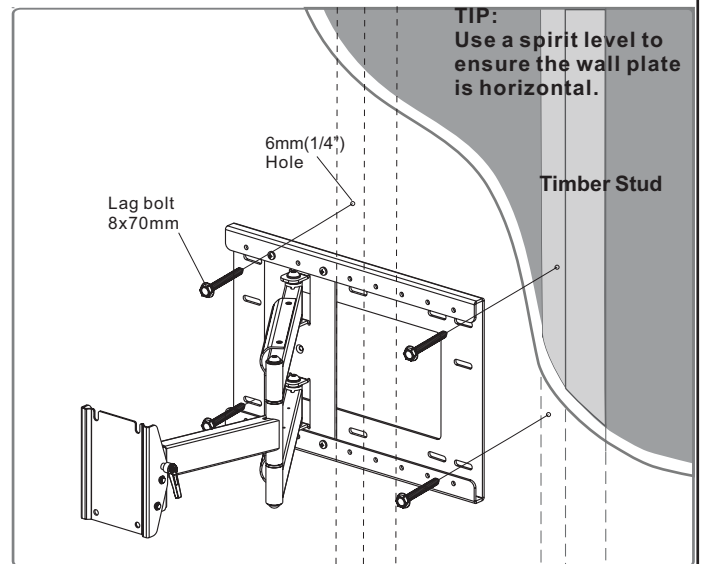
Using a 1/4" (6 mm) drill bit, drill 4 pilot holes into the center of the studs (through the mounting hole cut-out sections of the template), down to a depth of 3" (76 mm).

#### Notes:

We do not recommend using a drill driver or impact wrench to tighten bolts.

Tighten lag bolts so that wall plate is firmly attached to wall, but DO NOT over tighten. The lag bolts can be damaged by over tightening which will strip their threading.

Final tightening of lag bolts should be done by hand using a ratchet wrench and socket.



### B. Mounting to Concrete/Masonry

Place the wall plate on the wall, Pin the wall plate to the center mark on the wall. Using a level (bubble or laser), level the guide, and then press the adhesive backing against the wall to hold the guide in place.

Using a 3/8" (10 mm) masonry drill bit, drill 4 mounting holes 3-1/8" (80 mm) deep into the concrete/masonry surface.



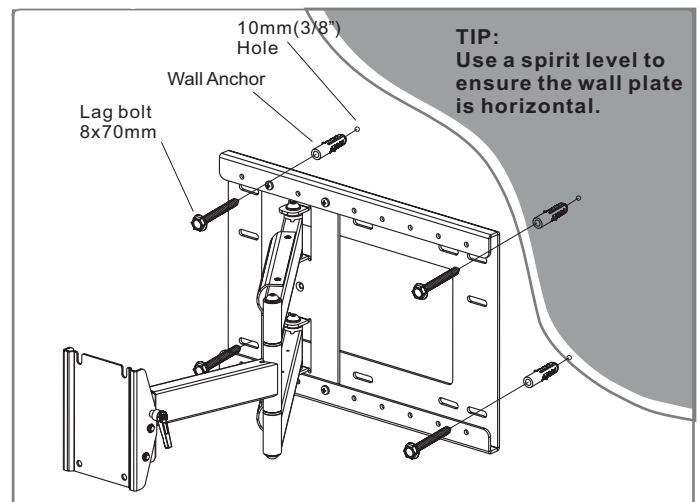
Fig.2

#### Notes:

We do not recommend using a drill driver or impact wrench to tighten bolts.

Tighten lag bolts so that wall plate is firmly attached to wall, but DO NOT over tighten. The lag bolts can be damaged by over tightening which will strip their threading.

Final tightening of lag bolts should be done by hand using a ratchet wrench and socket.



## Step 2 Assemble the Adaptor Plate

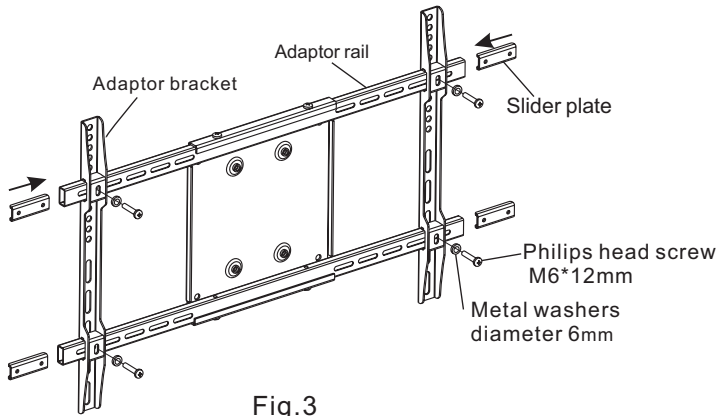


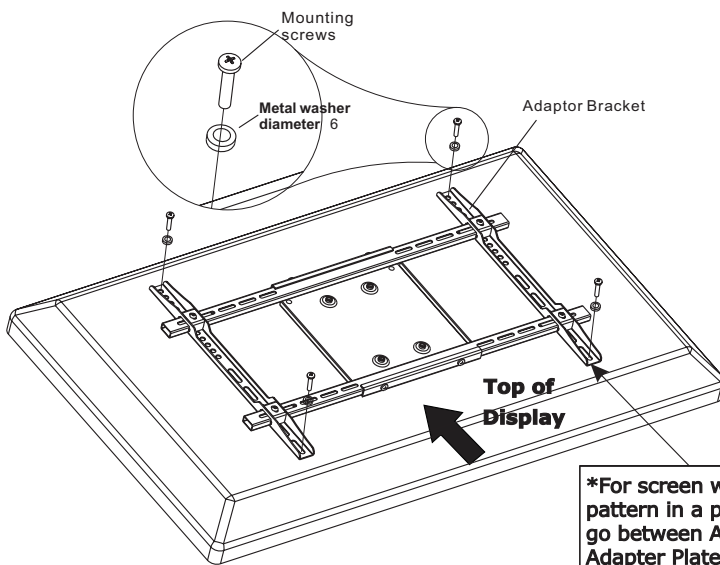
Fig.3

Insert Slider plate(x4) into adaptor rails, then insert the adaptor bracket into adaptor rail, fix adaptor bracket and slider plate with four philips head screw M6\*12mm and four metal washers diameter 6mm using Philips headscrew driver as shown Fig.3.

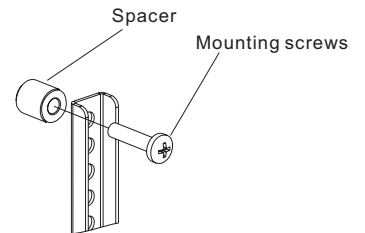
Fixed the adaptor bracket onto the display with the selected mounting screws, washers, and any required spacers.

Now slide the opposite mounting rail into position, align it with the mounting holes, and secure with the mounting hardware.

**Note:**  
Recessed Mounting Holes. If the mounting holes are recessed into the back of the display, use the supplied spacers to pack the recessed hole. Ensure that the hook brackets are securely fixed to the display.



**\*For screen with a hole pattern in a pocket, spacers go between Assembly Adapter Plate and screen. Spacers**



## Step3 Attaching the display to the mount

**BY HAND**, insert two socket pan head screw M8\*12mm and metal washer diameter 8mm into threaded holes on the adaptor panel as shown Fig.4. Leave approximately 3/8" of exposed thread.

With the help of an assistant, carefully lift the display and attach it to the mount head cautiously.

Tighten the screws as shown Fig.5.

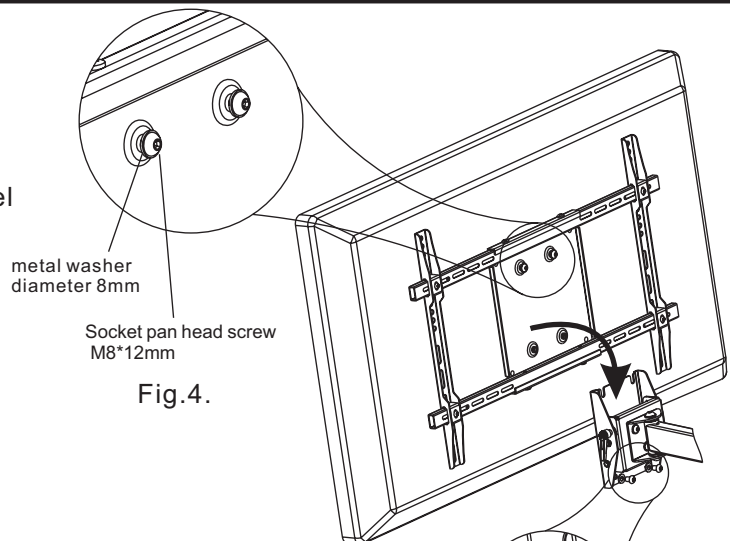


Fig.4.

Fig.5.

Socket pan head screw M8\*12mm  
metal washer diameter 8mm

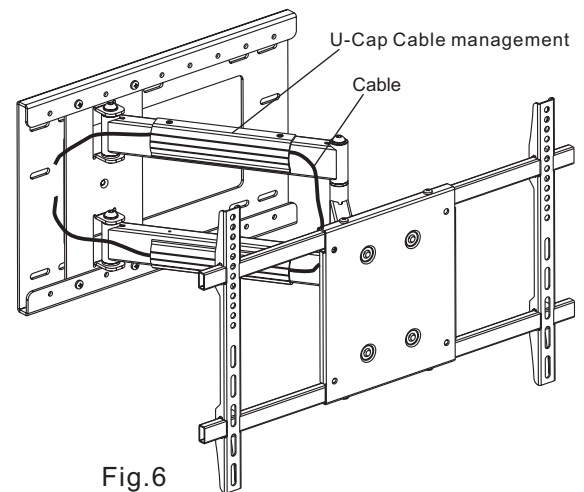
## Step 4 Using Cable Management

The ASM-501M includes a cable management system where cable can be routed along the length of the arm assembly.

Route the display cable along the entrance of the cable management slot. (Fig.6)

**Note:** For optimal performance, route the AC power cable separately from the audio and video cables.

With all cables in place, pull the display in and out to be certain that the arm assembly moves freely, without stretching or damaging the cables.

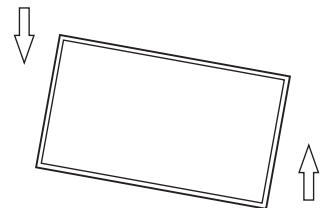
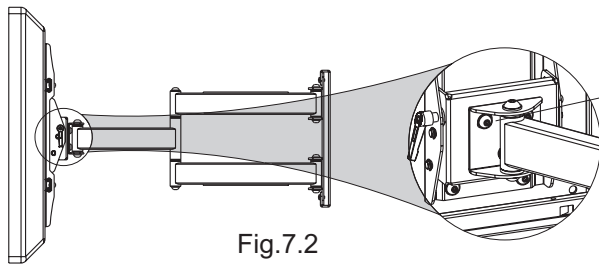


## Step 5 Adjusting the Display

The ASM-501M provides a wide range of adjustment possibilities to suit your environment.

**Roll Control** - Horizontal leveling of the flat panel display.

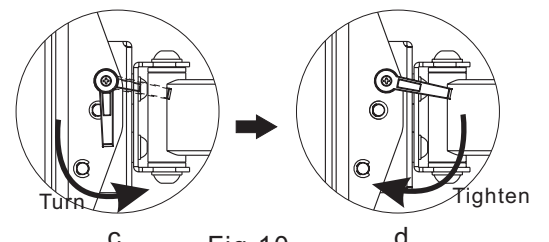
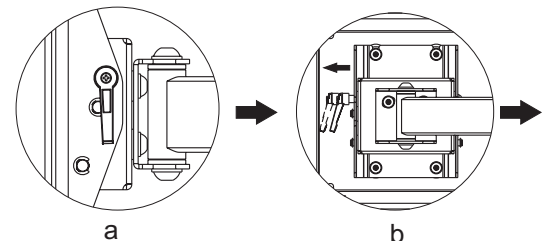
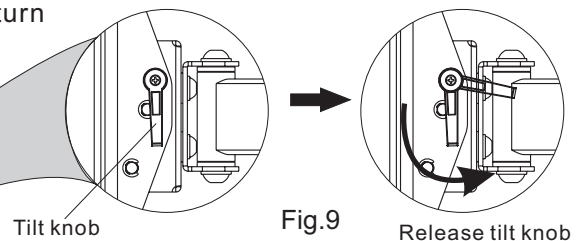
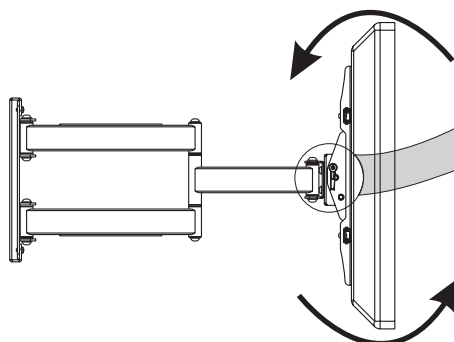
Grasp the edge of the display and roll it up or down into a level position (Fig.7.1).



**Tilt Adjustment** - Raising or lowering the screen to improve viewing angle.

First release completely the tilt knob as shown (Fig.9)

Second Grasp the upper and lower edges of the display, and then turn it to the desired tilt angle (Fig.8).



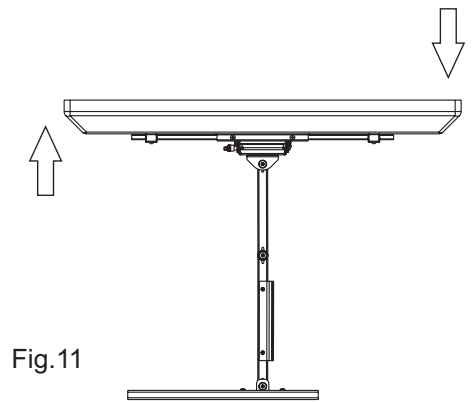
To lock the tilt angle, tighten the tilt knob (Fig.10) securely.

**NOTE:** For heavier displays, never fully release the tilt knob without fully supporting the display.

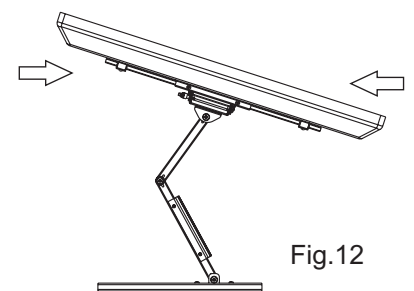
The tilt lever includes a ratchet function, so that it can be lifted and repositioned for the next turn. To operate the ratchet, pull the lever straight out, rotate it to an unobstructed position, release the lever, and then turn it in the desired direction. Repeat as necessary until the tilt tension is set properly (Fig.10)

Fig.10

**Swivel**- Adjust the flat panel display for off center viewing positions. Grasp the side edges of the display and then swivel display into its desired position (Fig.11).

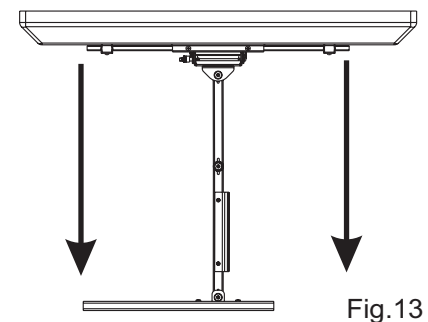


**Panning** - Positions the flat panel display at an angle to the wall for viewing from opposite sides of the room. Grasp the side edges of the display and then swivel and pull the display into desired position (Fig.12).



**Retracting the Flat Panel Display** - Positions the display against the wall.

Grasp the side edge of the display, swivel and pull the display into the center position (Fig.13), and then gently push the display straight back towards the wall into the retracted position (Fig.14).



**Note:**

Use care when moving the display to ensure that cables do not become stretched or pinched.

It is suggest allowing a small amount of slack in cables to allow for easy movement without pinching.

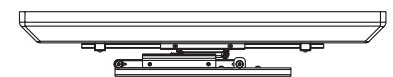


Fig.14

## Maintaining the ASM-501M Universal Cantilever Mount

The arm assembly and wall plate may be cleaned with a soft sponge and mild solution of soap and water.

**Caution:** Be sure not to get moisture on the electrical connections or the display.